

T105901

STUDIO S

STUDIO® S BATHTUB FAUCET WITH LEVER HANDLES AND PERSONAL SHOWER FOR FLASH® ROUGH-IN VALVE





*American
Standard*

STANDARD SPECIFICATION:

- Metal construction
- Metal lever handles
- Handshower with 1.8 gpm/6.8 L/min maximum flow
- Handshower feature 59" (152 cm) long hose
- For use with Flash® bathtub faucet rough-in valve R910
- Valve sold separately



AVAILABLE FINISHES:

- | | |
|-------------|--|
| T105901.002 |  Polished Chrome |
| T105901.243 |  Matte Black |
| T105901.295 |  Brushed Nickel |
| T105901.GN0 |  Brushed Cool Sunrise |

CERTIFICATIONS:



- CEC Certified
- CALGreen Compliant
- Massachusetts Plumbing Board Approved
- Energy Policy Act of 1992
- CSA B125.1
- ASME A112.18.1

NOTE: Install this product according to the installation guide. ADA, CSA compliant when installed to the specific requirements of these regulations.

We reserve the right to make revisions without notice to product specifications. 12-05-2024

US

Tel: 1.855.815.0004

For the most current Specification Sheet,

go to <https://www.americanstandard-us.com>.

Canada

Tel: 855.836.9615

For the most current Specification Sheet,

go to <https://www.americanstandard.ca>.

PART OF **LIXIL**

T105901

STUDIO S



STUDIO® S BATHTUB FAUCET WITH LEVER HANDLES AND PERSONAL SHOWER FOR FLASH® ROUGH-IN VALVE

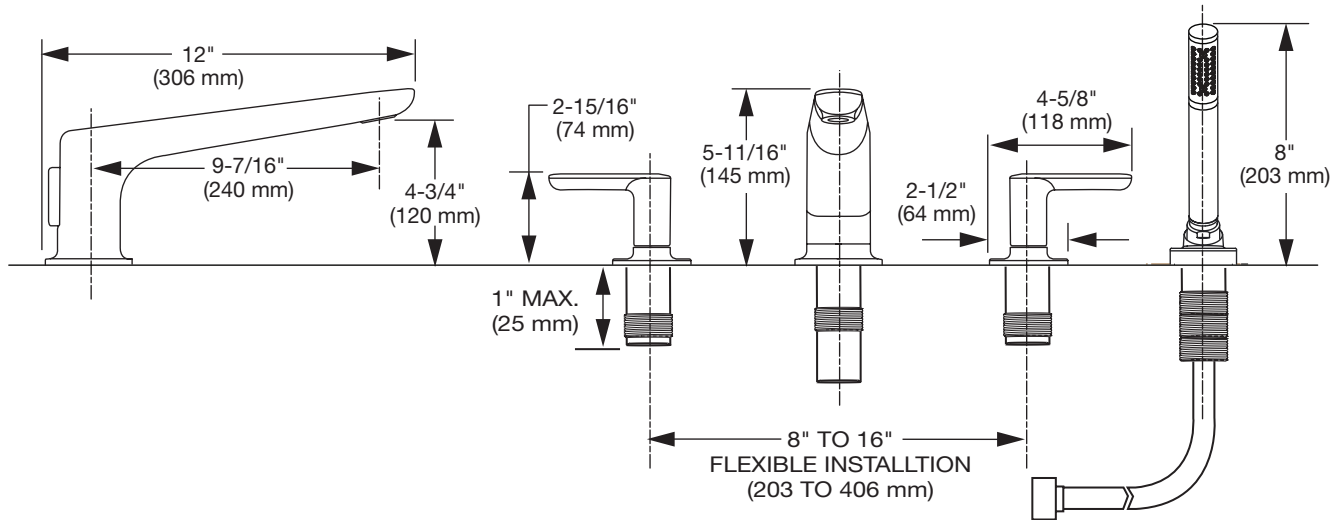
TECHNICAL DATA:

Product Height	8.19 in (208.03 mm)
Product Length	10 in (254 mm)
Product Width	22.63 in (574.8 mm)
Fitting Spout Height	4.88 in (123.95 mm)
Fitting Spout Reach	8 in (203.2 mm)
GPM (Min)-GPM (Max)	1.8 GPM
Fitting No of Holes Required	3
Product Weight	7.006 lb/7.011 lb

PRODUCT COMPONENTS:

REQUIRED COMPONENTS:

R910-FLASH ROMAN TUB FILLER ROUGH W P/S



NOTE: Install this product according to the installation guide. ADA, CSA compliant when installed to the specific requirements of these regulations.

We reserve the right to make revisions without notice to product specifications. 12-05-2024

US
Tel: 1.855.815.0004

For the most current Specification Sheet,
go to <https://www.americanstandard-us.com>.

Canada
Tel: 855.836.9615

For the most current Specification Sheet,
go to <https://www.americanstandard.ca>.

PART OF LIXIL